

No: M-02.2705 - 10

Dat/Nam.: 13.10.2017 / K. Srb

Cad Code: M_022705

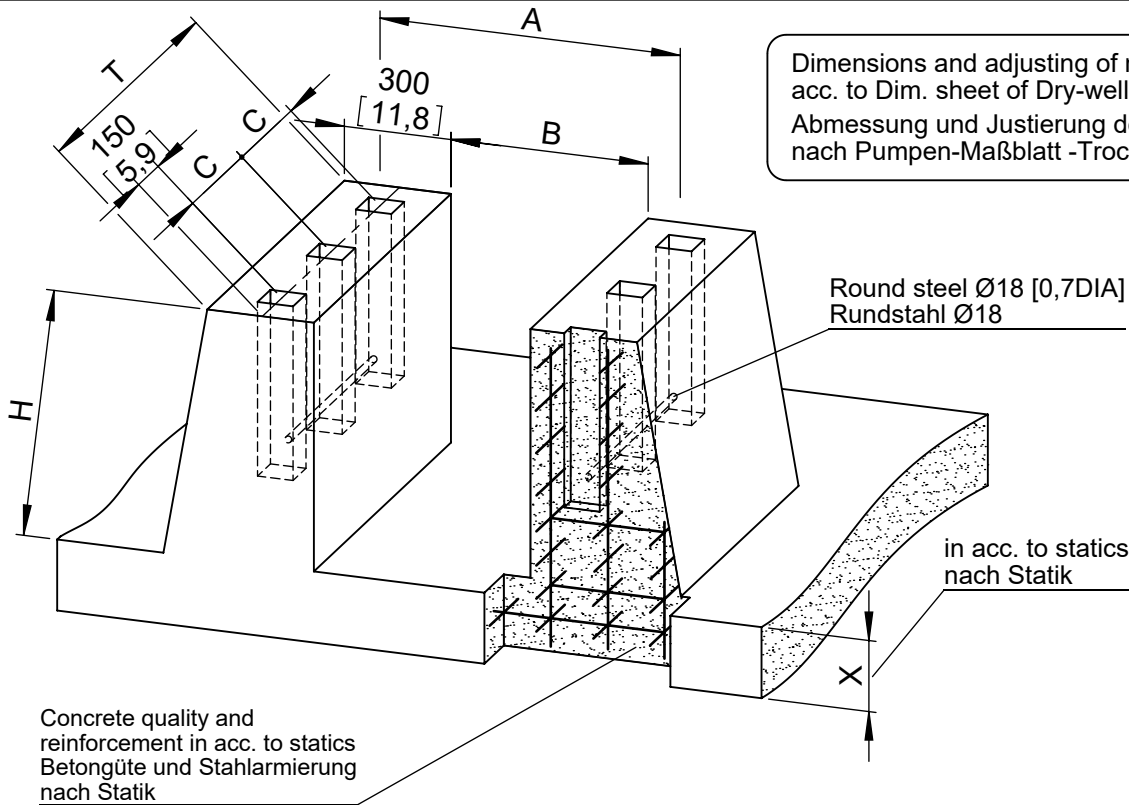
Technical changes reserved

Änderungen vorbehalten

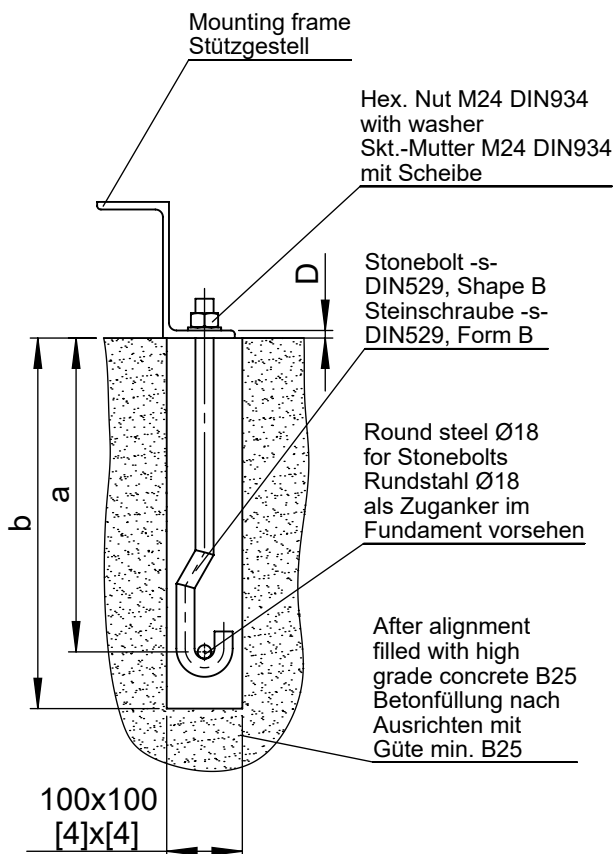
XFP 100J - 600X

Foundation drawing for DRY WELL Installation

Fundamentplan Trockeninstallation



View of stonebolt anchorage
Ansicht Steinschraubenverankerung



XFP	A mm [inch]	B mm [inch]	C mm [inch]	D mm [inch]	H mm [inch]	T mm [inch]
105J-CB				10 [0.4]	410 [16,1]	860 [33,9]
100J-CH	700 [27,6]	410 [16,1]	280 [11]	8 [0.3]		
155J-CB				10 [0.4]		
150M-CB	845 [33,6]	555 [21,9]	380 [15]	10 [0.4]	1060 [41,7]	860 [33,9]
151M-CB				8 [0.3]		
150J-CH	700 [27,6]	410 [16,1]	280 [11]	10 [0.4]	540 [21,3]	910 [35,8]
151J-CB				8 [0.3]		
200J-CB				10 [0.4]		
200J-CH				8 [0.3]	630 [24,8]	1060 [41,7]
200M-CH	725 [28,5]	435 [17,1]	305 [12]	10 [0.4]		
201J-CB				10 [0.4]		
205J-CB				10 [0.4]	730 [28,7]	1060 [41,7]
206J-CB				10 [0.4]		
205M-CB	915 [36]	625 [24,6]	380 [15]	10 [0.4]		
250J-CB				10 [0.4]	630 [24,8]	1060 [41,7]
255J-CB			300 [11,8]	10 [0.4]		
250M-CH	855 [33,7]	555 [21,9]		10 [0.4]		
300J-CB				10 [0.4]	730 [28,7]	1060 [41,7]
305J-CB				10 [0.4]		
300J-CH			380 [15]	10 [0.4]		
300M-CH	845 [33,6]			10 [0.4]	915 [36]	1150 [45,3]
301M-CH				10 [0.4]		
305M-CB	915 [36,0]	625 [24,6]		10 [0.4]		
306M-CB				10 [0.4]	800 [31,5]	940 [37]
350M-CH	947 [37,3]	657 [25,9]	320 [12,6]	10 [0.4]		
351M-CH				10 [0.4]		
356M-CB	997 [39,3]	707 [27,8]		10 [0.4]	915 [36]	1150 [45,3]
400M-CH				10 [0.4]		
400R-CH	965 [38]	675 [26,6]	425 [16,7]	10 [0.4]		
400T-CH				10 [0.4]	1080 [42,5]	1260 [49,6]
405M-CB	1065 [41,9]	775 [30,5]	480 [18,9]	10 [0.4]	915 [36]	
500U-CH				10 [0.4]	1175 [46,3]	
501U-SK	1165 [45,9]	875 [34,4]	525 [20,7]	10 [0.4]	1175 [46,3]	1350 [53,1]
600V-CH				10 [0.4]	1400 [55,1]	1540 [60,6]
600X-SK	1345 [53]	1055 [41,5]	620 [24,4]	10 [0.4]	1354 [53,3]	

DN	a mm [inch]	b mm [inch]	s mm [inch]
100-150	315 [12,4]	390 [15,4]	M24x400 [16]
200-600	415 [16,3]	490 [19,3]	M24x500 [20]

[mm
[inch]