

## Lifting Station Type ABS Sanimax

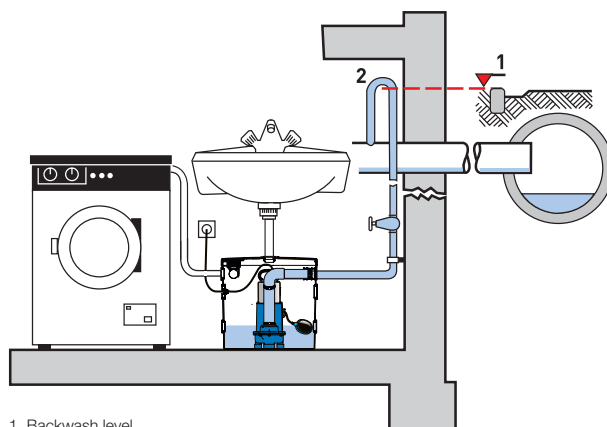
Complete wastewater pumping unit for installation at floor level and fitted with a submersible pump from the Robusta or MF ranges. Suitable for the removal of liquids containing solid particles up to 30 mm from wash-hand basins, domestic washing machines, or showers, from areas below the sewer level in accordance with EN 12050-2.

### Features

- Ready-for-use, plug-in unit with Schuko plug.
- Compact triangular design optimises space beneath a hand-wash basin.
- Can be fitted with Robusta 202 TS or MF 154 & 324 pumps, complete with non-return valve and level control. A separate check valve should be used at heads over 5 m.
- Solids handling up to 10 mm for Robusta, 20 mm for MF 154, and 30 mm for MF 324.
- Seven ports (5 x 40 mm, 2 x 50 mm), ready-prepared with seals, which can be used for inflow, discharge, power cable, or flexible hose connection to a washing machine (¾" adaptor supplied).
- Odour-tight lid with odour lock and venting, including charcoal odour filter and overflow protection.
- Alarm float switch available as accessory.
- Sanimax R 202C for aggressive liquids. It is the duty of the user to check the suitability of the materials for the particular application.

### Installation

Attention to the backwash level is of vital importance for effective dewatering. All outflow points located below the backwash level must be protected against back flow according to EN 12056 standard.



1. Backwash level.
2. Backwash loop with base above the backwash level.



### Tank

Synthetic, corrosion-resistant, gas- and odour-tight tank, in accordance with EN 12050-2. Supplied as standard with pump, automatic level control and non-return valve. Maximum allowable temperature of medium 40 °C; short term to 60 °C (max. 5 minutes).

**Capacity:** 28 liters.

### Motor

Water pressure sealed, squirrel cage 2-pole induction motor, with double shaft seals. Oil chamber in the MF pump. Thermal sensors in the stator to switch off the pump in the case of overheating and switch on automatically after cooling down.

**Insulation:** Class B (130 °C) for Robusta  
Class F (155 °C) for MF

**Protection type:** IP68

### Materials

	Tank	Polypropylene
Robusta 202 / 202C	Pump housing	Polypropylene
	Motor housing	Stainless steel 1.4301 / 1.4401
	Rotor shaft	Stainless steel 1.4057 / 1.4401
	Impeller	Polyamide
	Seals	Neoprene / Viton
MF 154 & 324	Upper lid	Stainless steel 1.4301
	Motor housing	Cast iron EN-GJL-250
	Rotor shaft	Stainless steel 1.4021
	Volute	Cast iron EN-GJL-250
	Impeller	Polyamide
	Seals	Neoprene
	Fasteners	Stainless steel 1.4401

## Technical data

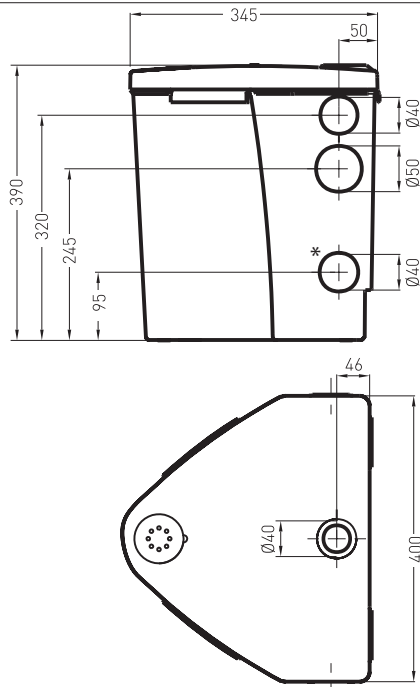
Sanimax	R 202 / 202C	MF 154	MF 324
Motor power (kW) *	$P_1 = 0.36$ $P_2 = 0.16$	$P_1 = 0.65$ $P_2 = 0.42$	$P_1 = 0.83$ $P_2 = 0.54$
Speed (r/min)	2900	2900	2900
Rated voltage (V)	220-240 1~	220-240 1~	220-240 1~
Rated current (A)	1.60	2.83	3.61
Cable length (m) **	3	3	3
Weight (kg)	6.75	13.50	13.50

\*  $P_1$  = Power taken from mains.  $P_2$  = Power at motor shaft.  
\*\* Cable type HO7RN-F.

## Switching and volume levels

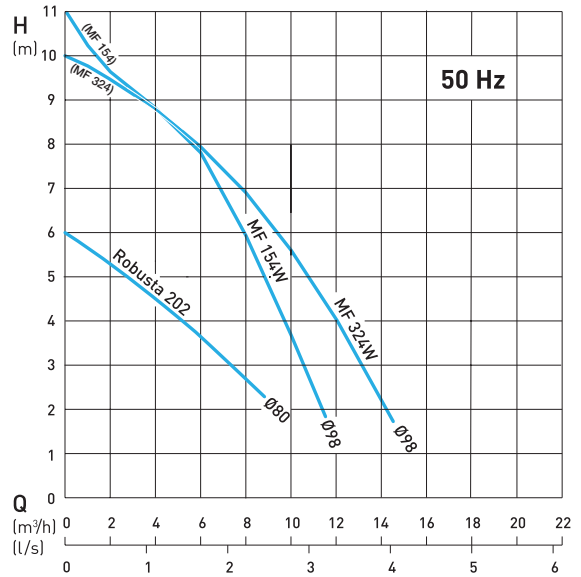
	Robusta	MF
ON (mm)	85	230
OFF (mm)	55	80
Pumped volume (L)	1.8	11.2
Residual volume (L)	3.9	4.5

## Dimensions (mm)



\* For Sanimax MF we recommend that the lower ports should not be used because the switch-on level is higher than the inflow level.

## Performance curves



H = Total Head. Q = Discharge Volume. Curves to ISO 9906.

## Accessories

Description	Size	Part no.
NC-AKKU 9VTR 7-8 rechargeable battery for mains-independent operation		12820018
<b>Plug-in alarm kits:</b> acoustic alarm with signalling unit for connection to 230 V Schuko socket. Acoustic alarm signal, potential-free NO (Normally Opened) contact (I max 12 A / V max 250 V). Optional rechargeable accumulators for mains-independent alarm signal.		
<b>With NSM05 "broken finger"</b>		16025003
<b>With humidistat</b>		16025004
<b>WM-Stop alarm kits:</b> acoustic alarm with signalling unit for plugging in to a 230 V Schuko socket, with integral 230 V Schuko socket into which the washing machine is plugged (I max 16 A). Optional rechargeable accumulators for mains-independent alarm signal.		
<b>With NSM05 "broken finger"</b>		16025005
<b>With humidistat</b>		16025006
<b>Non-return valves:</b>		
cast iron ball valve with internal thread connection	G 1¼"	61400525
	G 1½"	61400526
synthetic flap valve with internal thread connection	G 1¼"	61405030
	G 1½" & G2"	61405032

[sulzer.com](http://sulzer.com)

Sanimax 50 Hz en 02.2024, Copyright © Sulzer Ltd 2024

This data sheet is a general product presentation. It does not provide a warranty or guarantee of any kind. Please contact us for a description of the warranties and guarantees offered with our products. Directions for use and safety will be given separately. All information herein is subject to change without notice.