

# SULZER

Massblatt XFP 101G-CB1 Trockeninstallation

Dimension sheet DRY-WELL Installation

Dimensioni Installazione a secco

Hoja de dimensiones instalaci3n en seco

Plan d'encombrement Installation a sec

No: AN-M.22.587 - 03

Drawn: 05/08/10 D.Whelan

Issue Date: 09/05/2013

Änderungen vorbehalten

Technical changes reserved

Con riserva di modifiche

Con reserva de modificaciones

Sous r serve de modification

## 50 Hz

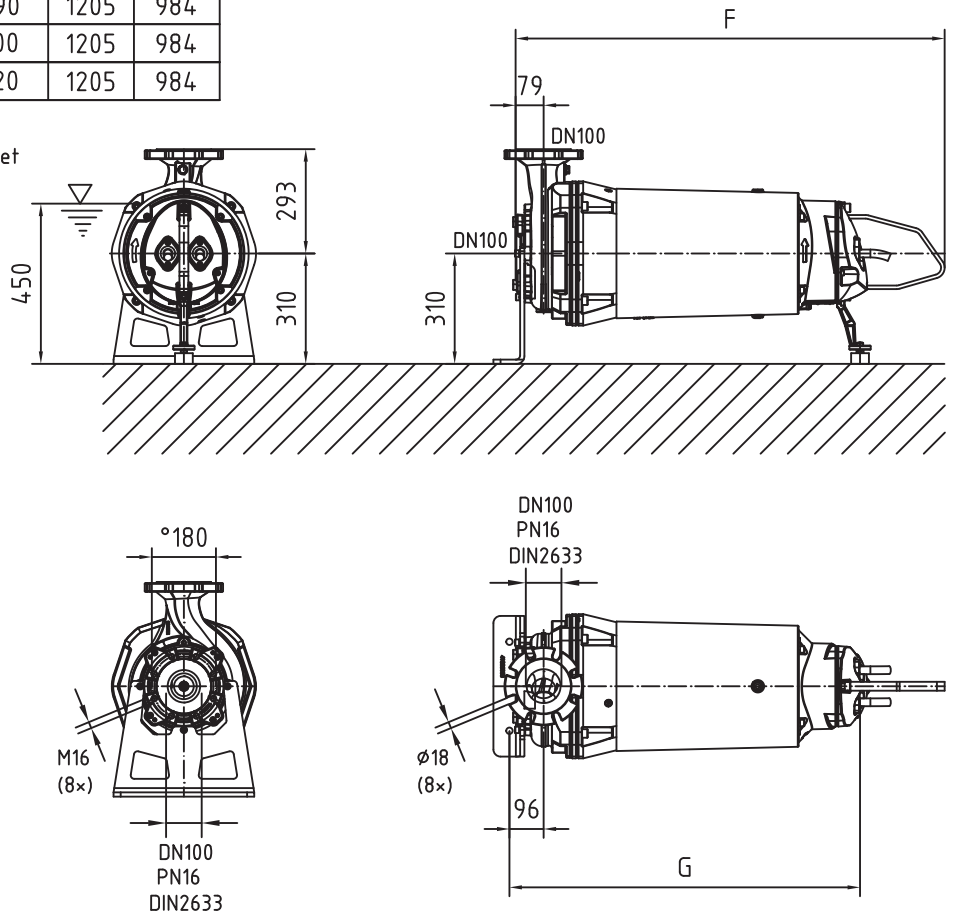
**S.I.**

Typ Type Tipo	Gewicht Weight Poids N.C.J. (kg)	Gewicht Weight Poids W.C.J. (kg)	F (mm)	G (mm)
PE 150/2	330	370	1205	984
PE 185/2	330	370	1205	984
PE 250/2	350	390	1205	984

## 60 Hz

Typ Type Tipo	Gewicht Weight Poids N.C.J. (kg)	Gewicht Weight Poids W.C.J. (kg)	F (mm)	G (mm)
PE 185/2	350	390	1205	984
PE 200/2	340	390	1205	984
PE 230/2	360	400	1205	984
PE 300/2	370	420	1205	984

N.C.J. = No Cooling Jacket  
W.C.J. = With Cooling Jacket



Gewicht: Beinhaltet Pumpe ,horizontal Stutzen und Kabel (50 Hz = 10 m; 60 Hz = 15 m)  
Weight: includes pompa, horizontal supports and cable (50 Hz = 10 m; 60 Hz = 15 m)  
Peso: include pompa, supporti orizzontali e cavo (50 Hz = 10 m; 60 Hz = 15 m)  
Peso: Incluye bomba, soporte horizontal y cable (50 Hz = 10 m; 60 Hz = 15 m)  
Poids : incluant la pompe, les supports horizontaux et le cable (50 Hz = 10 m; 60 Hz = 15 m)

Guss-Allgemeintoleranzen nach DIN1680 - GTB16  
General tolerances for castings in acc. to DIN1680-GTB16  
Tolleranze generali delle fusioni secondo DIN1680-GTB16  
Tolerancias generales para la fundici3n seg. de DIN1680-GTB16  
Tol rance g n rale de la fonderie selon DIN1680-GTB16

# SULZER

Massblatt XFP 101G-CB1 Trockeninstallation  
Dimension sheet DRY-WELL Installation  
Dimensioni Installazione a secco  
Hoja de dimensiones instalaci3n en seco  
Plan d'encombrement Installation a sec

No: AN-M.22.587 - 03  
Drawn: 05/08/10 D.Whelan  
Issue Date: 09/05/2013  
Änderungen vorbehalten  
Technical changes reserved  
Con riserva di modifiche  
Con reserva de modificaciones  
Sous r3serve de modification

## 50 Hz

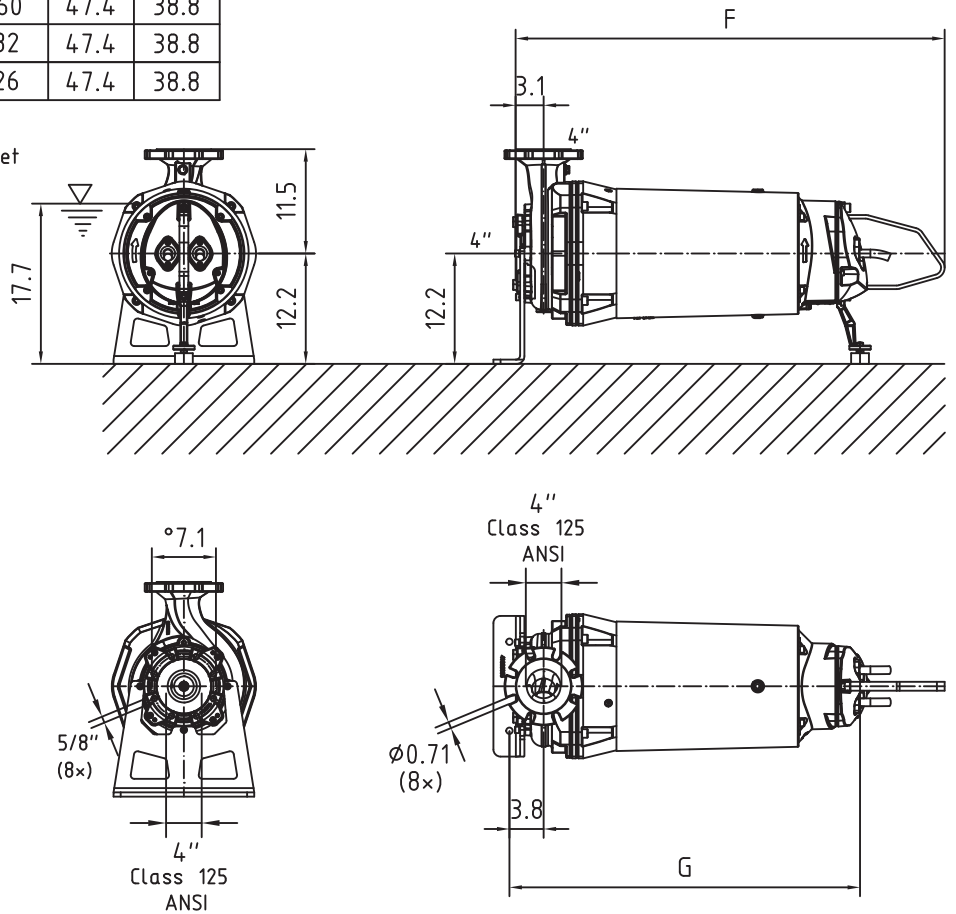
Typ Type Tipo	Gewicht Weight Poids N.C.J. (lbs)	Gewicht Weight Poids W.C.J. (lbs)	F (")	G (")
PE 150/2	728	816	47.4	38.8
PE 185/2	728	816	47.4	38.8
PE 250/2	772	860	47.4	38.8

## U.S.

## 60 Hz

Typ Type Tipo	Gewicht Weight Poids N.C.J. (lbs)	Gewicht Weight Poids W.C.J. (lbs)	F (")	G (")
PE 185/2	772	860	47.4	38.8
PE 200/2	750	860	47.4	38.8
PE 230/2	794	882	47.4	38.8
PE 300/2	716	926	47.4	38.8

N.C.J. = No Cooling Jacket  
W.C.J. = With Cooling Jacket



Gewicht: Beinhaltet Pumpe ,horizontal Stützen und Kabel (50 Hz = 10 m; 60 Hz = 15 m)  
Weight: includes pump, horizontal supports and cable (50 Hz = 10 m; 60 Hz = 15 m)  
Peso: include pompa, supporti orizzontali e cavo (50 Hz = 10 m; 60 Hz = 15 m)  
Peso: Incluye bomba, soporte horizontal y cable (50 Hz = 10 m; 60 Hz = 15 m)  
Poids : incluant la pompe, les supports horizontaux et le cable (50 Hz = 10 m; 60 Hz = 15 m)

Guss-Allgemeintoleranzen nach DIN1680 - GTB16  
General tolerances for castings in acc. to DIN1680-GTB16  
Tolleranze generali delle fusioni secondo DIN1680-GTB16  
Tolerancias generales para la fundicion seg. de DIN1680-GTB16  
Tolérance générale de la fonderie selon DIN1680-GTB16