

SULZER

Massblatt MF 565- 665

Dimension sheet

Plan d'encombrement

No: AN-M 13.163-01

DATE:23.08.01

CAD-CODE: G:\ANM13163

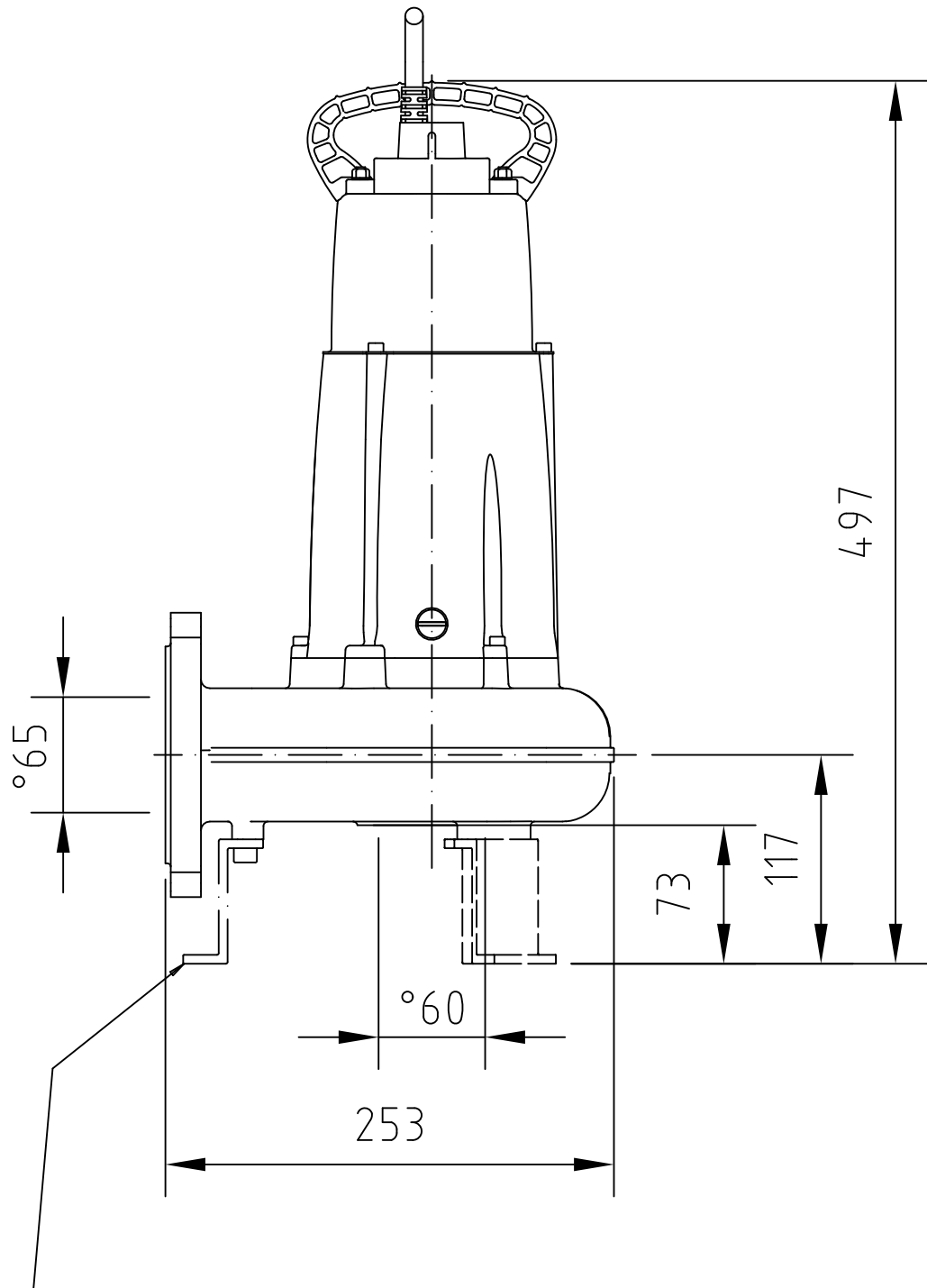
Anderungen vorbehalten

Technical changes reserved

Con riserva di modifiche

Con reserva de modificaciones

Sous réserve de modification



Support foot kit (6 140 5015)
Only available as an accessory.