

Submersible Sludge Pump JS 4

SULZER

Specification

JS 4, single-phase electric submersible pump, with built-in float switch.

Maximum submergence: 7 m.

Shaft mounted agitator prevents air locking and reduces clogging.

Protection class IP68.

Max temperature of pumped medium at max power input and continuous duty 40 °C.

pH of the pumped medium 6.5-8.5.

Free passage Ø 6 mm.

Electric Motor

Single-phase motor with built-in capacitor, 50 Hz.

Class F insulation.

Motor rating P_2 : 0.4 kW. Speed: 2850 rpm

Voltage, V	230
Nominal current, A	3

Power Cable

10 m type H07RN8-F: 3 x 1.0 sq.mm.

Motor Protection

Built-in thermal protector.

Shaft Seal

Double mechanical seal in oil bath: Ceramic-Sic/Carbon-Ceramic.

Bearings

Sealed ball bearing.

Discharge Connections

2" hose connections.

2" B.S.P. threaded connections.

Weight

13.8 kg

Options and accessories

2" STORZ C connection

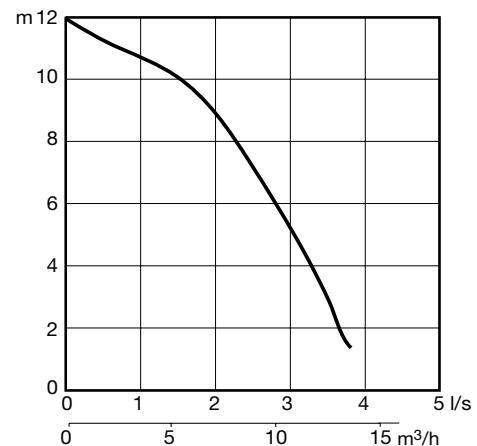
Reinforced hose.

Materials

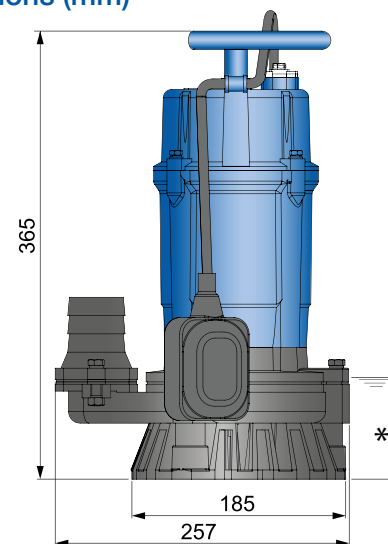
Description	Material
Motor casing	Aluminium
Upper cover	Aluminium
Volute	Cast iron
Shaft	Stainless steel 1.4021
Impeller	Ductile iron
Agitator	Stainless steel
Hose coupling	Cast iron
O-rings	Nitrile rubber



Performance curve



Dimensions (mm)



* Continuous running water level 85 mm

www.sulzer.com

JS 4 50Hz en (09.2022), Copyright © Sulzer Ltd 2022-

This document does not provide a warranty or guarantee of any kind. Please contact us for a description of the warranties and guarantees offered with our products. Directions for use and safety will be given separately. All information herein is subject to change without notice.