

Grinder - 40002 Muffin Monster™ - Inline series

SULZER

The 40002 Muffin Monster excels in wet and dry grinding applications. It protects pumps and other sensitive equipment by grinding down the toughest wastewater solids. Its powerful, dual-shafted, slow-speed, high-torque design shreds the toughest solids.

Construction

- Inline pipe configuration
- Pipe flange diameters from 300 mm to 500 mm
- Hardened alloy steel cutters (standard), 191 mm diameter
- Ductile iron housings
- Hardened alloy steel shafts, 64 mm hex
- Mechanical seals with tungsten carbide faces, 10.3 bar maximum dry working pressure

Performance

- Flow rates up to 1'558 m³/hr

Applications

- Large sludge lines
- Pump stations
- Private facility discharge to municipal sewer system
- Prison sewage system protection
- Industrial wet waste grinding and maceration

Monster Renew grinder

In place of repairing a worn grinder, choose a Monster Renew unit. Sulzer provides a new, factory-built grinder cartridge to replace the worn grinder cartridge. Remove the motor and reducer from the worn unit, install the motor and reducer on the Monster Renew unit, and install the new assembly in place of the worn unit. Benefits include:

- Minimizes operational downtime
- Quick turnaround
- All new parts
- Great time to upgrade unit
- Full factory warranty on the Monster Renew grinder cartridge



Muffin Monster motor assembly

- 7.5 kW power
- Optional explosion proof and immersible motors available
- 35:1 reducer, cycloidal design

Muffin Monster controller

- Ensures maximum grinding ability with minimum stoppage
- Designed and programmed for specified motor

Muffin Monster grinder cutters

Tooth count	Thickness	Material
7-tooth	22 mm	Hardened alloy steel
11-tooth	11 mm	Hardened alloy steel

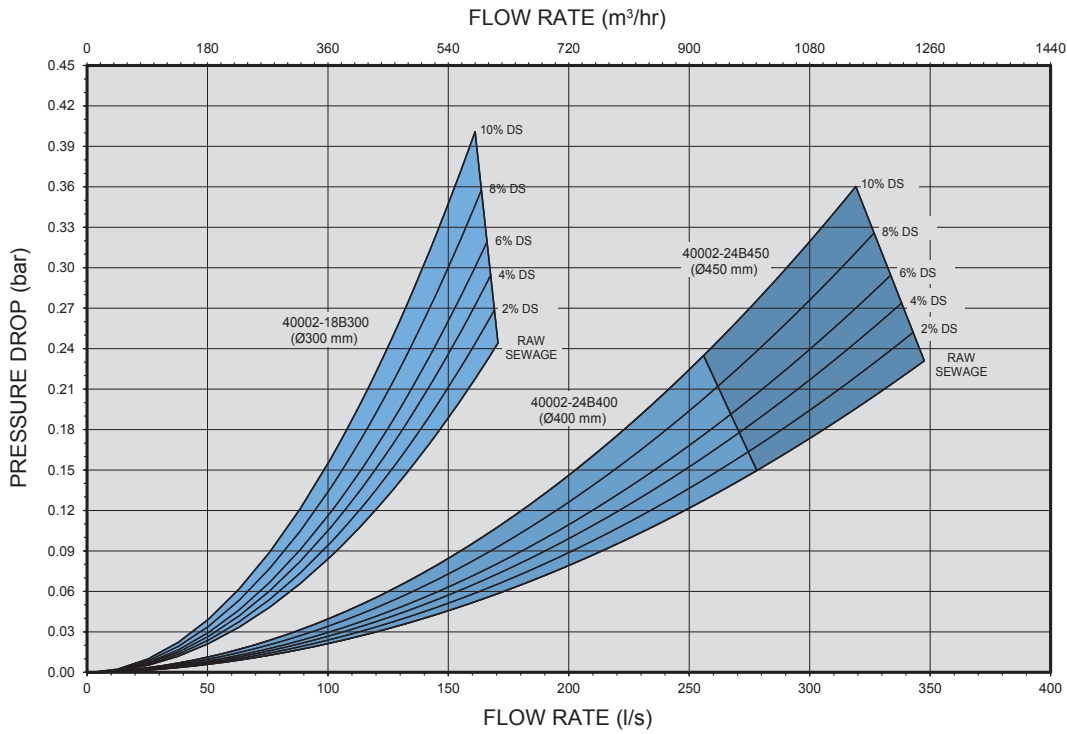
Muffin Monster grinder materials

Part	Standard
Housings	Ductile iron
Cutters	Hardened alloy steel
Shafts	Hardened alloy steel
Mechanical seals	Tungsten carbide faces
Gaskets	Viton™

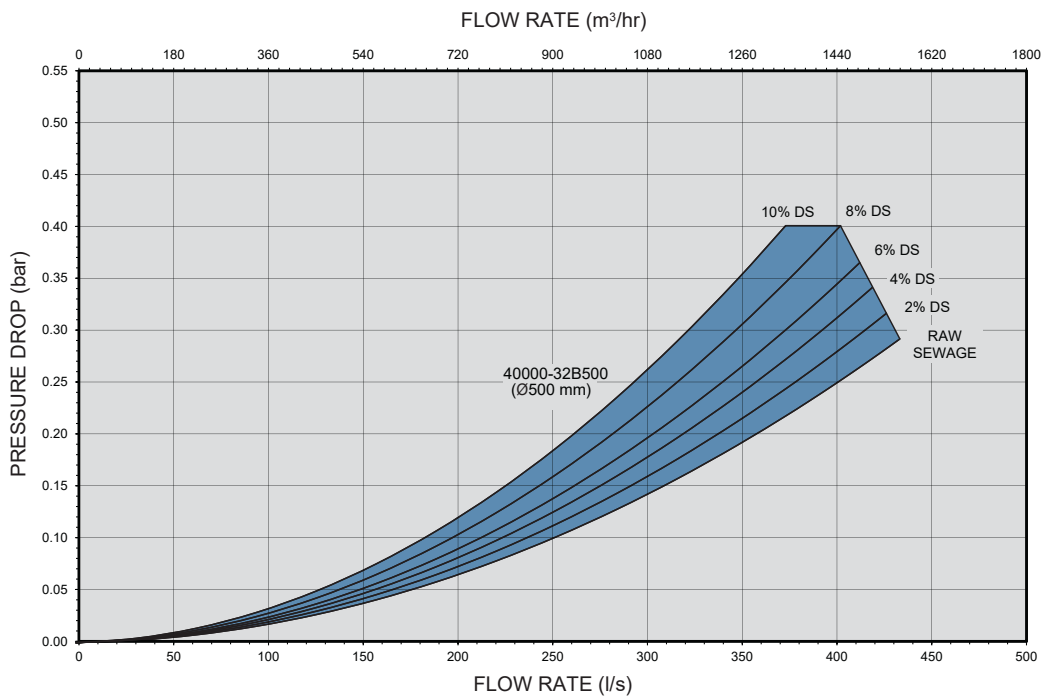
For guidance in selecting a 40002 Muffin Monster, please contact Sulzer.

Performance curves

Model 40002 Inline

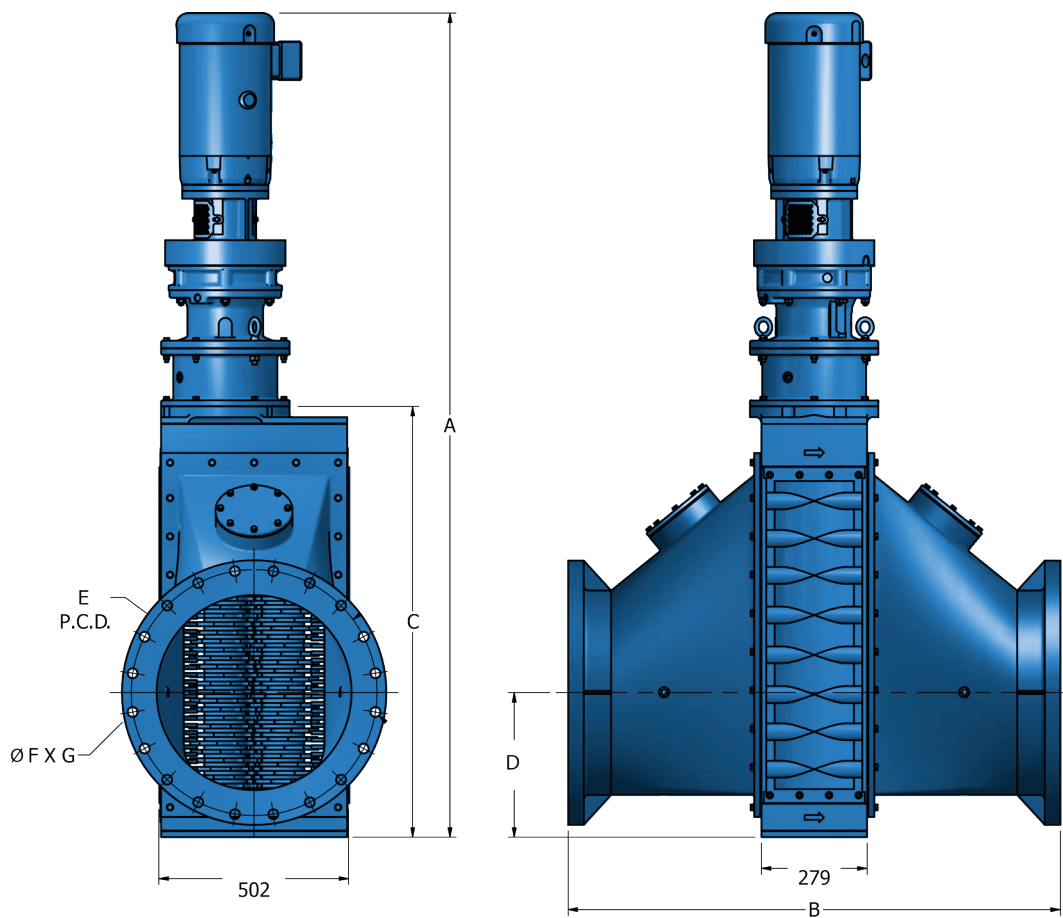


Model 40002 Inline



DS = dissolved solids

Dimensions (mm)



Inline model	Flow rate ¹ - m ³ /hr	Pipeline size - mm	Pressure drop - bar	Standard dimensions ² - mm					Flange dimensions - mm			Approximate net weight ³ - kg
				A (IP55)	A (IP68)	B	C	D	E	F	G	
40002-18B300	612	300	0.24	1'666	1'877	895	767	273	410	26 (M24)	12	1'020
40002-24B400	999	400	0.15	1'846	2'057	1'099	947	321	525	30 (M27)	16	1'190
40002-24B450	1'249	450	0.23	1'846	2'057	1'200	947	346	585	30 (M27)	20	1'280
40002-32B500	1'558	500	0.29	2'013	2'224	1'302	1'114	381	650	33 (M30)	20	1'520

1. 0-2% solids. Inline unit typically installed prior to suction side of pump. Consult factory for analysis of application.

2. Drive dimensions are a maximum based on a unit with a 7.5 kW drive.

3. Weight is based on a unit with a 7.5 kW IP68 drive.

40002 Inline Muffin Monster grinder model coding

Product family	Solids reduction sewage grinder	Q									
Grinder family	40K Muffin Monster	4									
Grinder configuration	New unit with motor (specified separately)			1							
	Monster Renew unit			A							
	Monster Renew unit with spool			B							
Cutter stack height and flange diameter	450 mm stack, 300 mm flange			L		5					
	600 mm stack, 400 mm flange			M		6					
	600 mm stack, 450 mm flange			M		7					
	800 mm stack, 500 mm flange			N		8					
Flange type	BS EN 1092, PN16					D					
Cutter material	Alloy steel							1			
Cutter	7-tooth, 22 mm thick							C		5	
	11-tooth, 11 mm thick							F		4	
Body material & colour	Cast iron blue									S	
Seals & gaskets material	Severe duty seals & Viton gaskets									V	
Drum information	Not applicable									X X	
Drive configuration	Single drive									S	

Example: 40002-24B400 new unit with 600 mm cutter stack, 400 mm flange, 11-tooth (11 mm) alloy steel cutters, and severe duty seals & Viton gaskets **Q 4 1 M 6 D 1 F 4 S V X X S**

Muffin Monster motor assembly

Power	Voltage	Protection type	Motor model code
7.5 kW	400V, 3-phase, 50 Hz	IP55	QF1435B2R
7.5 kW	400V, 3-phase, 50 Hz	IP55 for ATEX (Ex d IIC T4)	QF2435B2R
7.5 kW	400V, 3-phase, 50 Hz	IP68 for ATEX (Ex de IIB T4)	QF3435B1R

Muffin Monster controller

Grinder motor type	Model code for IP65 control panel enclosure	
	Powder coated mild steel material	Stainless steel material
7.5 kW IP55	QN1P45XXX	QN1S45XXX
7.5 kW IP68	QN2P45XXX	QN2S45XXX